

htc®



VIVE™

Vive PRE User Guide

Contents

Unboxing

About Vive	4
Vive headset	5
Putting the headset on	6
Connecting a USB device to the headset	9
Unplugging the headset cables	10
Cleaning the headset	11
Headset status light	13
Link box	13
Connecting the headset to your computer	13
Vive controllers	15
Charging the controllers	15
Turning the controllers on or off	16
Pairing the controllers with the headset	16
Attaching the lanyards to the controllers	16
Controller status light	17
Vive base stations	17
Installing the base stations	18
Base station status light	19

Getting started

Setting up Vive for the first time	20
What is the play area?	21
Choosing the play area	21
Setting up the play area	22
Exploring Vive	24

Troubleshooting and FAQs

General	25
Tracking	26
Setup	26

Trademarks and copyrights

About this guide

In this user guide, we use the following symbols to indicate useful and important information:



This is a note. A note often gives additional information, such as what happens when you choose to do or not to do a certain action. A note also provides information that may only be applicable to some situations.



This is a tip. A tip gives you an alternative way to do a particular step or procedure, or lets you know of an option that you may find helpful.



This indicates important information that you need in order to accomplish a certain task or to get a feature to work properly.



This provides safety precaution information, that is, information that you need to be careful about to prevent potential problems.

Unboxing

About Vive

With Vive™, you can look and move around a room-scale virtual environment. Because your physical location is tracked, you can explore and interact within immersive fantasy worlds.

About Vive PRE

Vive PRE includes the headset, controllers, and base stations that you need to start creating interactive VR experiences.

Do not disassemble any of the hardware as it could injure you or damage the product.

What's inside the box

Your Vive PRE comes with the following items:

Main component	Accessories
Vive headset	<ul style="list-style-type: none"> ▪ 3-in-1 cable (attached) ▪ Audio cable (attached) ▪ Short USB cable (optional for third-party device) ▪ Cleaning cloth
Link box	<ul style="list-style-type: none"> ▪ Power cable ▪ HDMI cable ▪ USB cable
Vive controllers (2)	<ul style="list-style-type: none"> ▪ Power adapters (2) ▪ Micro USB cables (2)
Base stations (2)	<ul style="list-style-type: none"> ▪ Power adapters (2) ▪ Mounting kits (2) ▪ Sync cable (optional). To find out if you need to use it, see Do I need to use the sync cable? on page 27.

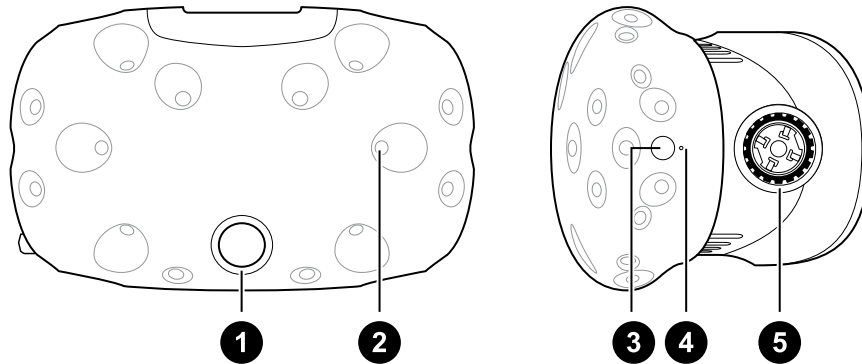
Vive headset

The headset is your window to the VR environment.

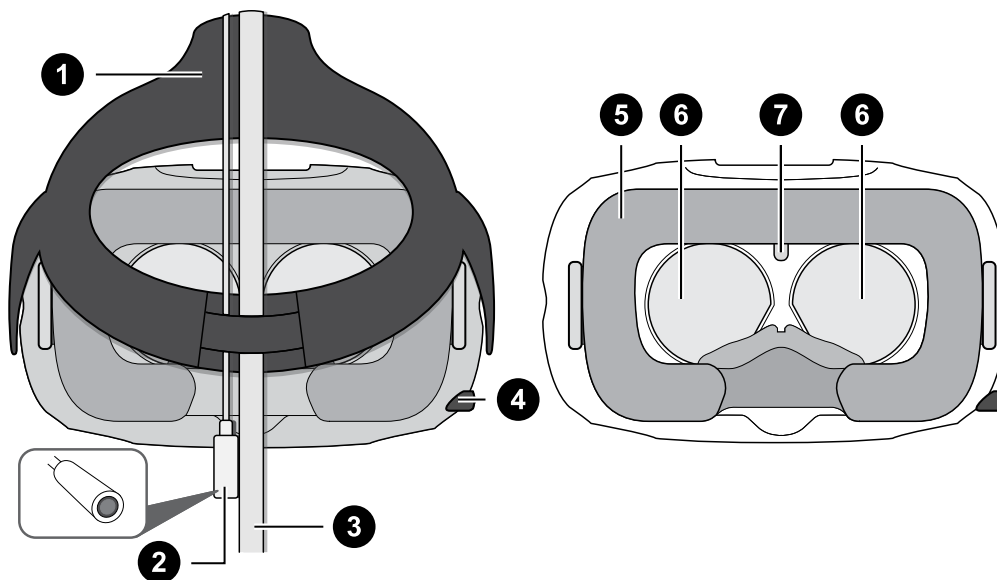
The headset has sensors that are tracked by the base stations.



The sensors on the headset are sensitive. Do not cover or scratch the sensor lenses, including the proximity sensor.

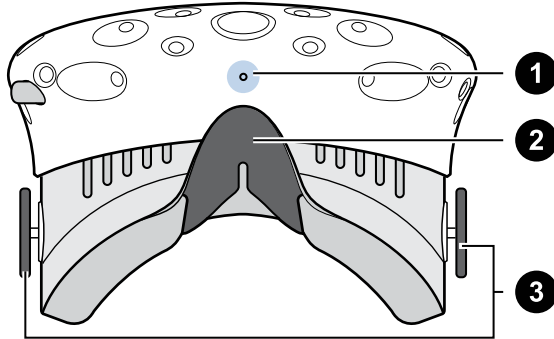


1	Camera lens
2	Tracking sensor
3	Headset button
4	Status light
5	Lens distance knob



1	Strap
2	Audio cable
3	3-in-1 headset cable

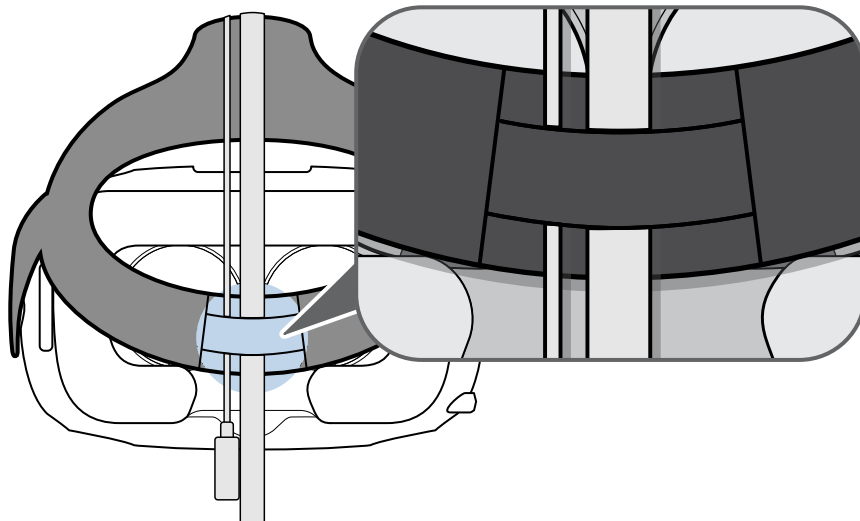
4	IPD (interpupillary distance) knob
5	Face cushion
6	Lenses
7	Proximity sensor



1	Microphone
2	Nose piece
3	Lens distance knobs

Putting the headset on

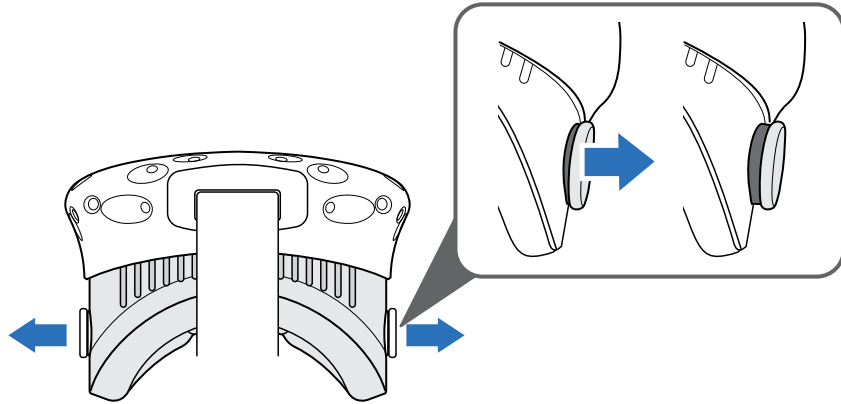
1. Pull the headset down over your eyes.
2. Slide the straps around the back of your head, and adjust them so that the headset fits snugly and comfortably.
3. Make sure that the cables pass through the sleeve at the back of the headset, and are positioned straight down your back.



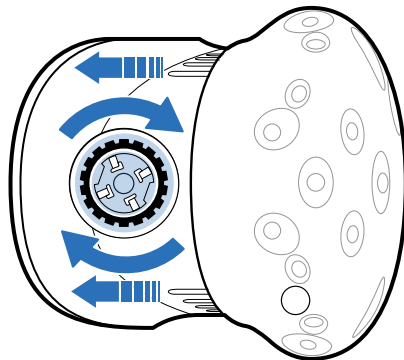
Adjusting the lens distance on the headset

If you wear large prescription glasses or have long eyelashes, you may need to increase the lens distance further from your face. Only increase this distance as necessary, as the closer the lenses are to your eyes, the better your field of view will be while wearing the headset.

1. Pull out each lens distance knob to unlock it.



2. Rotate both lens distance knobs to adjust the lens further or closer to your face.

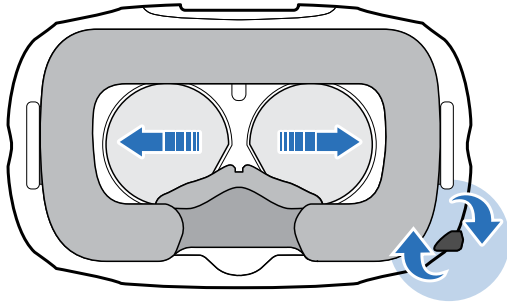


3. After you're done adjusting, push each knob to lock it back in.

Using the IPD knob on the headset

Interpupillary distance (IPD) is the distance between the center of the pupils in your eyes. A quick way to get an estimate is by facing a mirror and holding a millimeter ruler against your brow. Use this measurement as a guide to adjust the distance between the lenses of the headset so that you'll have a better viewing experience.

To change the distance between the lenses, rotate the IPD knob.

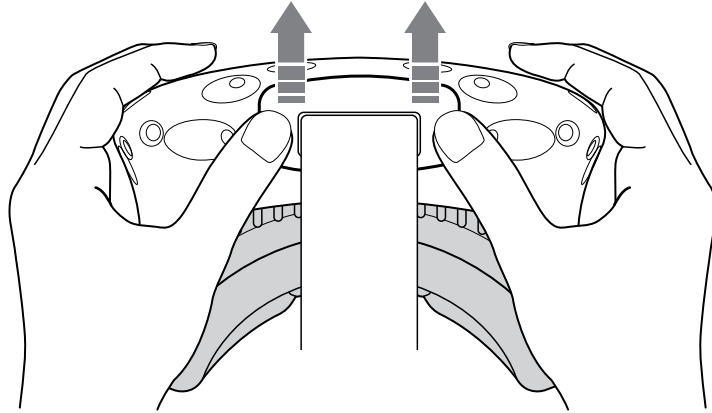


As you adjust the IPD, you'll see information displayed in the headset that indicates the current distance between the centers of the lenses.

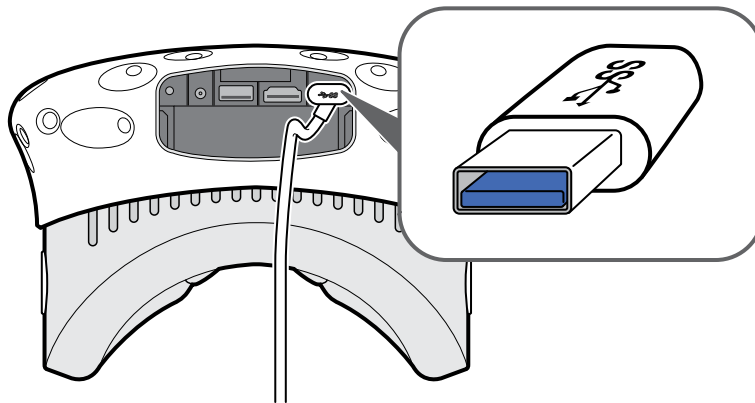
Connecting a USB device to the headset

Plug in the USB 3.0 cable to the headset for using a compatible third-party device with Vive.

1. Push open the compartment cover to access the connector slots on the headset.



2. Plug in the USB cable to its corresponding slot.

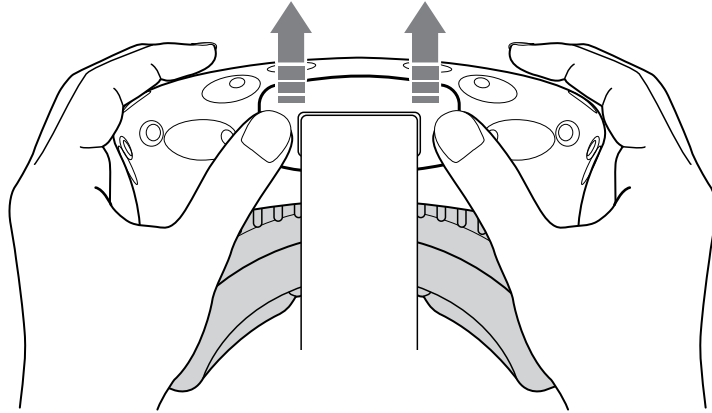


3. Connect the third-party device to the USB cable end.
4. Replace the compartment cover.

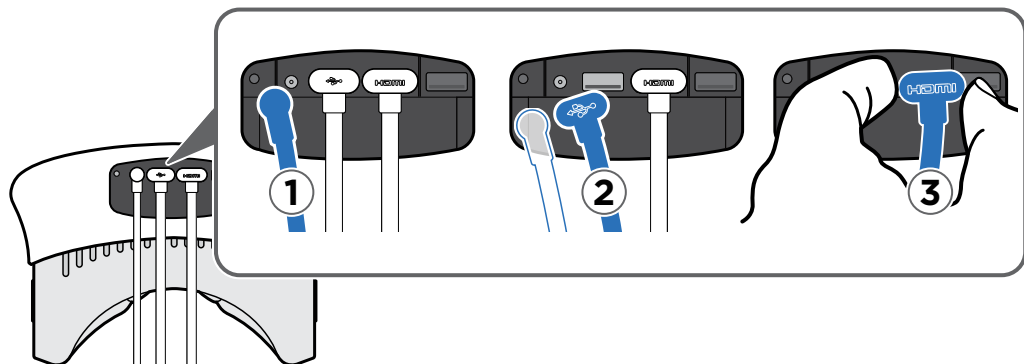
Unplugging the headset cables

When you need to, carefully unplug the cables from the headset.

1. Push open the compartment cover to access the connector slots on the headset.



2. To prevent damage to the cable tips, unplug the cables one by one following this sequence: power cable, USB cable, and HDMI cable.



3. Replace the compartment cover.

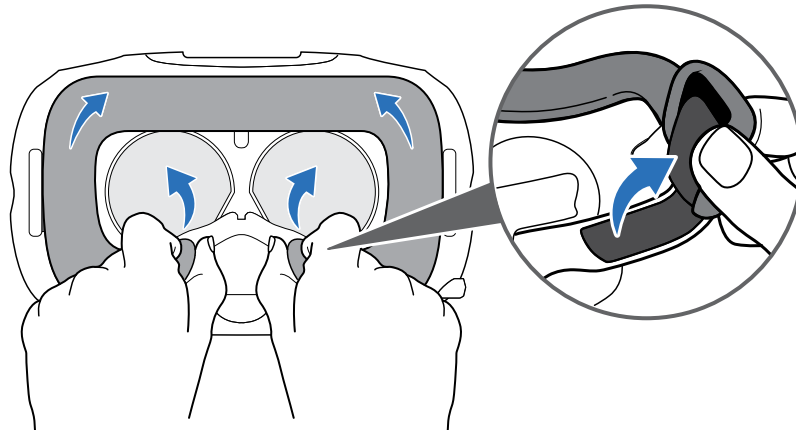
Cleaning the headset

Dampen the cleaning cloth provided in the box with water to wipe the headset and sensor lenses clean. Using any other liquid may cause damage.

Cleaning or replacing the face cushion

Remove the face cushion to clean it. If the attached face cushion is too wide for your head, replace it with the smaller-sized option that comes in the box.

1. To remove the face cushion, peel off starting from both ends of the face cushion until it detaches from the headset.



2. When cleaning the face cushion, remember to:
 - Dampen a clean smooth cloth with cold water and gently wipe the area of the face cushion you want to clean.
 - Air dry at room temperature. Don't tumble dry, iron, or expose it to direct sunlight.
 - Don't scrub, wring, or bleach the face cushion.
 - Don't dip or soak the face cushion in water.
3. To replace the face cushion, align the hook and loop strips on the face cushion and headset.

Caring for the headset lenses

1. Use the cleaning cloth provided in the box to wipe the lenses.
2. Moisten the cleaning cloth with alcohol or lens cleaner.
3. Wipe in a circular motion from the center to the outer edges of the lenses.

While cleaning the lenses, do not scratch the lenses nor disassemble other parts of the headset.



When not using your headset, store it with the lenses pointed away from any source of direct sunlight. Failure to do so may cause damage to the headset display.

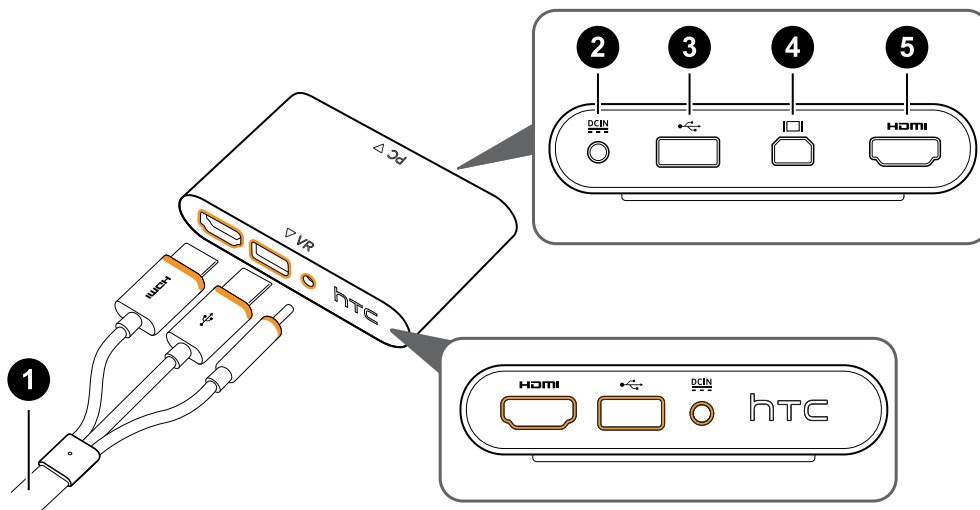
Headset status light

The status light shows:

- White when the headset is active
- Slowly blinking white when the headset is on standby
- Red when an error is encountered (with cables, display, or the like)

Link box

Use the link box to connect the headset to your computer.



1 3-in-1 cable

2 Power port

3 USB port

4 Mini DisplayPort™

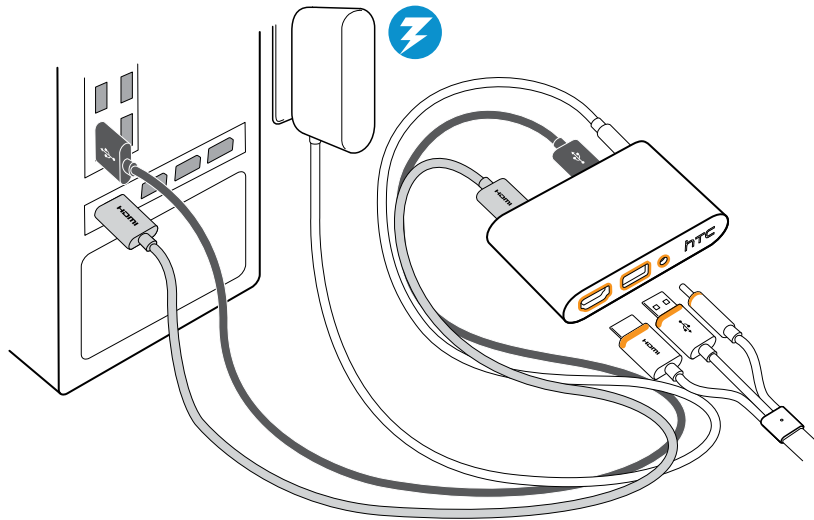
Note: Cable is not provided. Use if your computer doesn't support HDMI.

5 HDMI port

Connecting the headset to your computer

1. Connect the power adapter cable on its corresponding port on the link box, and then plug the opposite end into an electrical outlet to turn the link box on.
2. Insert the HDMI cable on the HDMI port on the link box, and then insert the opposite end on the HDMI port on your computer's graphic card.

3. Insert the USB cable on the USB port on the link box, and then insert the opposite end on your computer's USB port.
4. Connect the 3-in-1 headset (HDMI, USB, and power) cables on the side with matching orange trims on the link box.



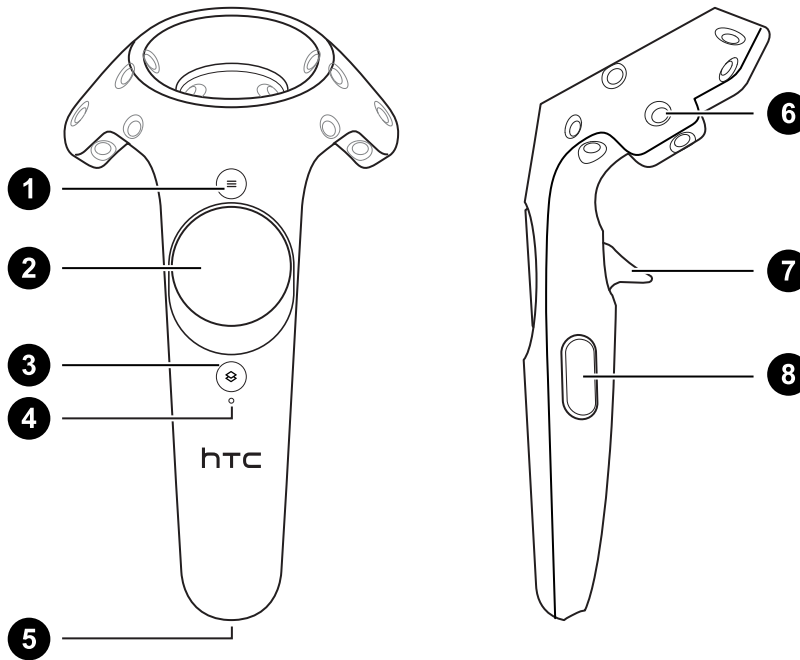
Vive controllers

Use the controllers to interact with objects in the VR world.

The controllers have sensors that are tracked by the base stations.



- The sensors on the controllers are sensitive. Do not cover or scratch the sensor lenses.
- To wipe the sensor lenses and the controllers clean, dampen the cleaning cloth provided in the box with water. Using any other liquid may cause damage.



1	Menu button
2	Trackpad
3	System button
4	Status light
5	USB charging adapter
6	Tracking sensor
7	Trigger
8	Grip button

Charging the controllers

Charge each controller using the USB cable provided.

The status light shows a solid white when the controller is fully charged.

Turning the controllers on or off

- To turn the controller on, press the System button until you hear a beeping sound.
- To turn the controller off, press and hold the System button until you hear a beeping sound.

When you quit the SteamVR app, the controllers will automatically turn off.

Pairing the controllers with the headset

- Once the controllers are turned on for the first time, they will automatically pair with the headset.

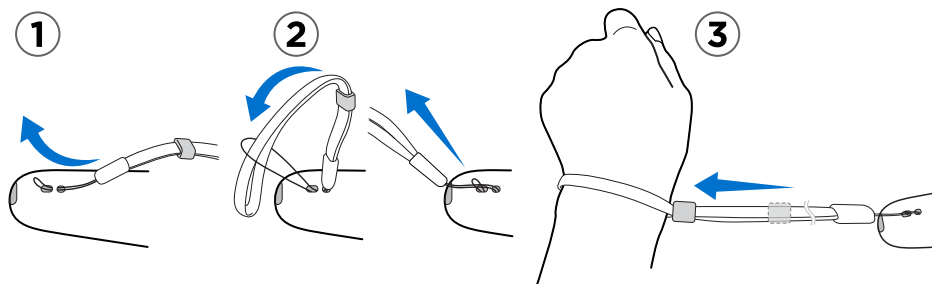
The status light shows as blinking blue while the pairing is in progress. The status light turns solid white when the controllers are paired with the headset.

- To manually pair the controllers, launch the SteamVR app, and then go to **Settings** > **Devices** > **Pair Controller**. Follow the on-screen instructions to complete the process.

Attaching the lanyards to the controllers

Using the lanyards may help prevent the controllers from accidentally being dropped.

1. While holding the controller, insert the lanyard's thread from the top to the bottom hole.
2. Loop the lanyard through the thread, and then tug the lanyard to fasten it in place.
3. Place the lanyard on your wrist, and then adjust the lock to tighten the lanyard comfortably around your wrist.



Controller status light

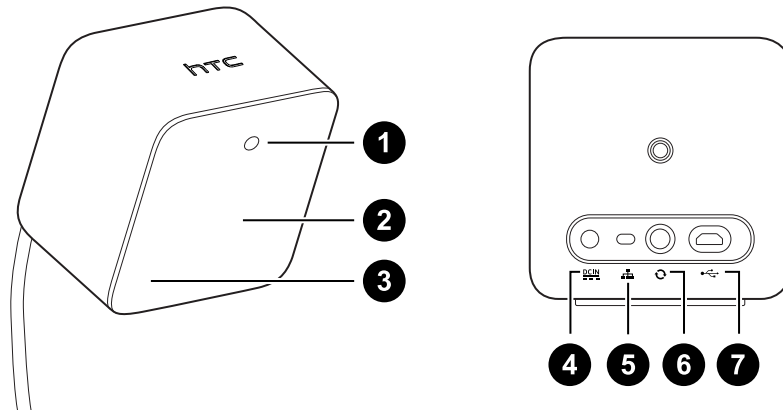
The status light shows:

- White when the controller is active
- Blinking red when battery is low
- Blinking blue when the controller is pairing with the headset. For details, see [Pairing the controllers with the headset](#) on page 16.
- Blue when the controller is connecting with the headset
- Orange when charging

Vive base stations



- The base stations track sensors from the headset and controllers. Do not cover the LED lens with any material.
- When the base stations are turned on, they may affect some nearby infrared sensors, such as those used by an IR TV remote control.



1	Status light
2	LED lens
3	Channel indicator
4	Power port
5	Channel button
6	Sync cable port
7	Micro USB port



- Do not attempt to pry open the base stations as doing so could injure you or damage the product.
- If the LED lens are cracked or damaged, stop using the base stations.

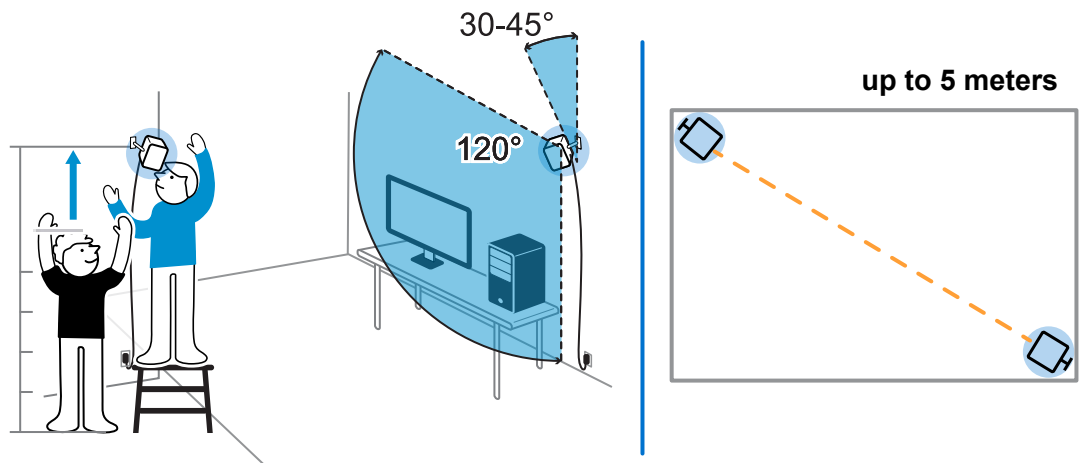
Installing the base stations

The placement of the base stations will affect the play area. Before installing the base stations, you should have decided whether your play area will be room-scale or seated/standing-only. See [Setting up the play area](#) on page 22.

1. Position the base stations diagonally across the room and above your height.

It is recommended to mount the base stations on a high shelf, tripod, or to a ceiling or wall. Avoid using unstable mounting accessories or surfaces that are prone to vibration.

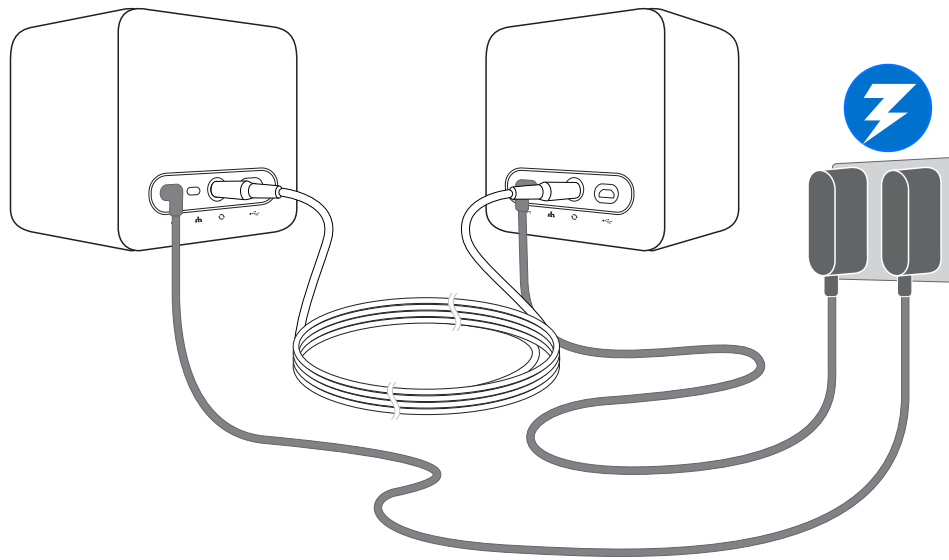
2. For proper tracking, make sure that the maximum distance between the two base stations is 5 meters.



3. Adjust the base stations so that the LED lens are facing toward the center of the play area. Each base station has a 120-degree field of view. It is recommended that they are angled down between 30 to 45 degrees.

4. Attach the power cables to the base stations, and then plug them each into a power outlet to turn them on. The status lights should show as white.
5. Connect the base stations and set the channels.

Without the sync cable	Press the Channel buttons at the back of the base stations so that one base station is set to channel "b", while the other is set to channel "c".
With the sync cable (for added reliability)	Using the sync cable is optional. To find out if you need to use it, see Do I need to use the sync cable? on page 27. Press the Channel buttons at the back of the base stations so that one base station is set to channel "A", while the other is set to channel "b".



Once turned on, do not move the base stations to another location. Doing so will disrupt the tracking process. When you've already defined your play area, you will need to set up the play area again if you move or adjust the angles of the base stations.

Base station status light

The status light shows:

- White when the base station is active
- Blinking white when the base station is on standby
- Purple when the base stations are trying to sync
- Blinking purple when syncing is blocked. When connecting the base stations wirelessly, you may need to use the sync cable. For details, see [Do I need to use the sync cable?](#) on page 27.

Getting started

Setting up Vive for the first time

Before you can use Vive, you'll need to complete the setup process, which includes defining your play area.

To begin, download and install the Steam app from <http://store.steampowered.com/about/>. You will need to create a Steam account.

Once Steam is installed, or if you already have Steam, go to **Library > Tools** to install the SteamVR app.

When done, the SteamVR app will launch. The Room Setup screen may also open.

SteamVR powers your Vive. Its main status window communicates the state of your VR system, helps you diagnose issues, and provides access to SteamVR settings.

SteamVR can be launched directly from the Tools Library or by clicking the new VR button in the upper-right-hand corner of the Steam client's main window.

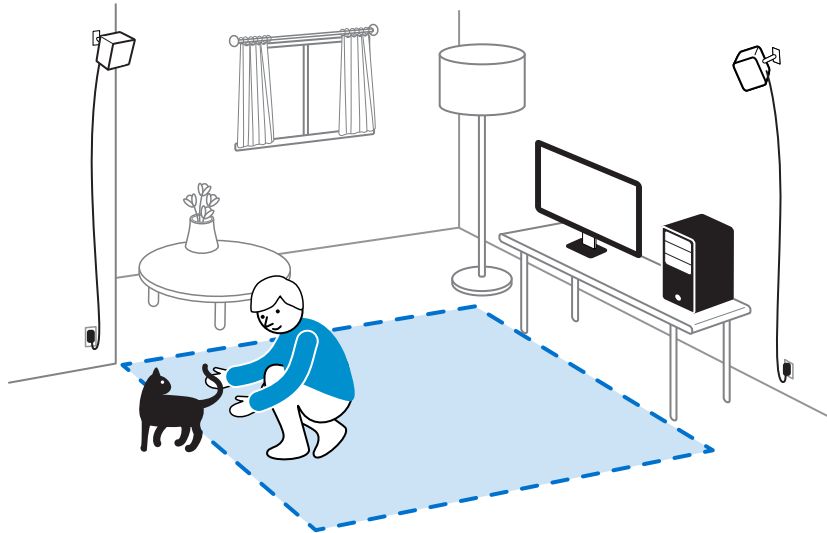
What is the play area?

The play area sets the virtual boundaries of Vive. Your interaction with VR objects happen within the play area.

Choosing the play area

Find a space that you will designate as the play area. For best results, do the following:

- Clear the play area of furniture and other things (including pets) that may block you from freely moving around.



- Remove or cover large mirrors or reflective surfaces.
- Cover windows or other sources of direct sunlight.
- Place your computer right outside of the play area. The headset cable can only extend by around 16 feet (5 meters) from your computer.

Setting up the play area

After setting up the hardware and installing Steam software, you'll need to set up the play area.


Before choosing your setup, make sure that you comply with the following space requirements:

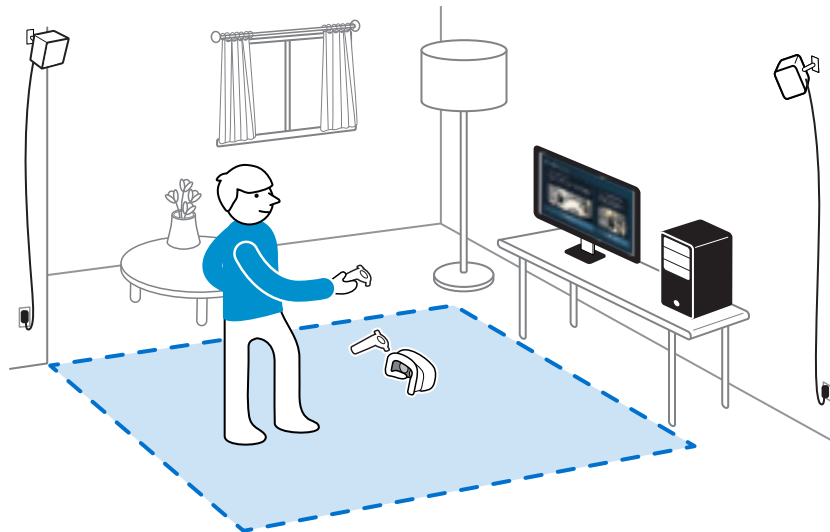
Room-scale setup	A minimum play area of 5 x 6.5 feet (1.5 x 2 meters) is required.
Seated and standing experiences	No set minimum, but space requirements vary depending on the VR content.

! When tracing the boundaries of the play area, make sure that the floor is cleared. Do not trace across space occupied by things (such as a table or a chair) since this may cause you to trip into the object while in VR.

Setting up a room-scale play area


Choose to set up a room-scale play area to enjoy moving around and fully engaging with the VR experience.

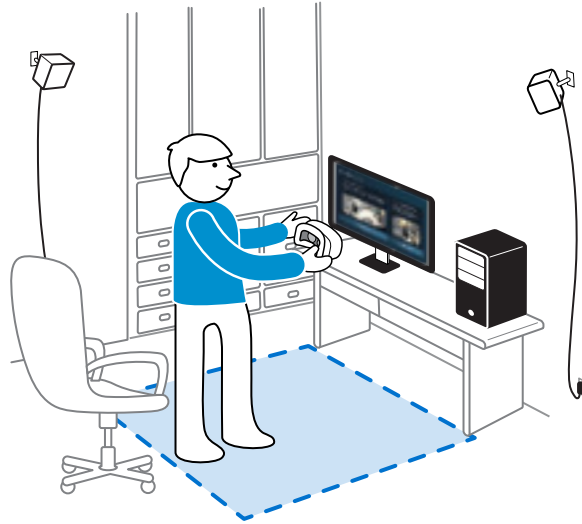
1. From your computer, open the SteamVR app, and then click .
2. Select **Run Room Setup > Room-scale**.
3. Review the prompts and follow the on-screen instructions to complete the process.



Setting up a standing-only play area

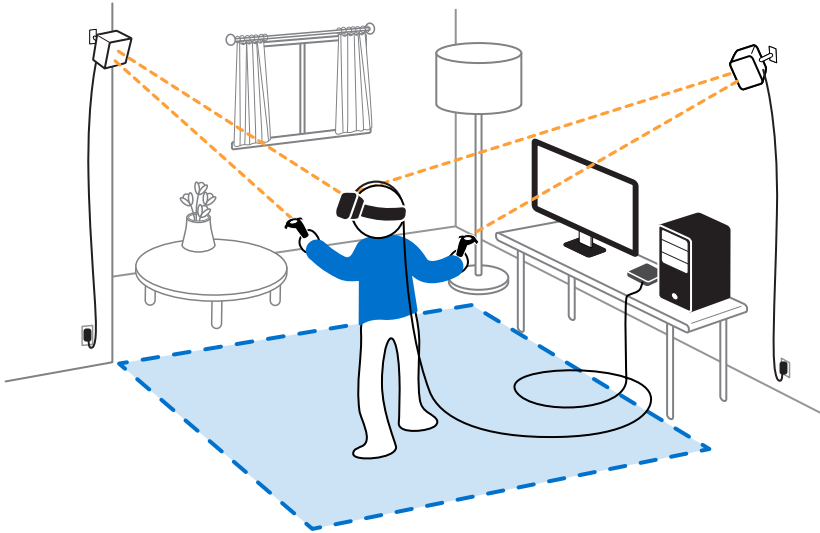
Choose this option if you only want to experience VR in a seated or standing position.

1. From your computer, open the SteamVR app, and then click .
2. Select **Run Room Setup > Standing only**.
3. Review the prompts and follow the on-screen instructions to complete the process.



Exploring Vive

Once you've completed the Vive setup process, you can now wear the headset and hold the controllers.



While you're in the play area, the headset and the controllers should remain at least .5 meters and no further than 5 meters away from a base station. This will ensure that the devices are properly tracked within the base station's 120 degree field of view.

! For health and safety warnings, please refer to the Safety and regulatory guide, which is periodically updated for accuracy and completeness. For the latest version, check www.htcvive.com.

System Dashboard

Download VR apps, change your settings, and more on the System Dashboard.

To go to the System Dashboard, press the System button on any of your controllers upon wearing the headset or while using any VR app.

Troubleshooting and FAQs

General

Can anyone use Vive?

Consult your doctor before using the product if you have pre-existing serious medical conditions (such as a heart ailment), conditions that affect your ability to safely perform physical activities, psychiatric conditions (such as anxiety disorders or post-traumatic stress disorder), or if you are pregnant or elderly.

Do not use the product if you are sick, fatigued, under the influence of intoxicants/drugs, or are not feeling generally well, as it may exacerbate your condition.

What can I do when the status light on the headset indicates an error?

If you see that the status light is red, try these methods to resolve the issue:

- Disconnect and reconnect the headset 3-in-1 cable on the link box.
- Check that the cables between the link box and your computer are properly connected.
- Unplug and replug the power adapter into an electrical outlet to restart the link box.

What can I do to resolve the "headset not found" error?

This error is most likely due to an issue with the USB port or device drivers. Try the following steps to troubleshoot the issue:

1. Close all Steam apps on your computer, including the SteamVR app.
2. Unplug the link box cables (HDMI and USB) from your computer, as well as its power cable from an electric outlet.
3. Wait for a few seconds, and then plug the cables back in. On your computer, you might see a notification that drivers are being installed. Wait for the installation to finish.
4. Restart the SteamVR app.

If you still get a similar error, repeat the steps again. You can try plugging the USB cable into the same or into another USB port on your computer.

Tracking

One or more Vive hardware are not tracked. What should I do?

Make sure that the hardware are placed inside the play area. You can also turn the hardware off and on again to reactivate the tracking.

If you're having an issue with the headset, you can try to disconnect and reconnect the HDMI cable to the HDMI port on your computer's graphic card.

If you still get an error, restart your computer and reopen the SteamVR app.

How do I know which of the controllers is not being tracked?

If one of your controllers is not being tracked and you want to find out which one, follow these steps.

1. On your computer, open the SteamVR app.
2. Hover your cursor on the icon of the controller that's not tracked.
3. Click **Identify controller**.

The status light on the controller rapidly flashes white.

When Vive is in use, my TV remote isn't working. What can I do?

The base stations may affect some nearby infrared sensors, such as those used by an IR TV remote control.

1. Re-adjust the angle of the base stations so that they are not directly facing your TV.
2. Verify that your remote control is working without interference from Vive.
3. Set up the play area again. For more information, see [Setting up the play area](#) on page 22.

Setup

How do I reset the play area?

1. On your computer, open the SteamVR app.
2. Click the drop-down arrow, and then select **Run Room Setup**.
3. Follow the prompts to complete the process.

Do I need to use the sync cable?

In general, you don't need to connect your base stations to each other with the sync cable. However, if you have a hanging object from the ceiling that is above the play area or if your base stations need to be positioned low such that your head or hands block the bases from seeing one another, this may affect the syncing of the base stations. You'll need to attach the sync cable.

1. Attach the sync cable to both base stations and make sure to route the cable outside of your play area.
2. Press the Channel buttons on the back of the base stations so that one base station is set to channel "A" and the other is set to channel "b".

Where can I get more help?

For additional information about Vive PRE setup and troubleshooting, go to steamvr.steampowered.com.

Trademarks and copyrights

©2016 HTC Corporation. All Rights Reserved.

HTC, the HTC logo, Vive, the Vive logo, and all other HTC product and services names are the trademarks or registered trademarks of HTC Corporation and its affiliates in the U.S. and other countries.

©2016 Valve Corporation. Steam, the Steam logo, and SteamVR are trademarks and/or registered trademarks of Valve Corporation in the U.S. and/or other countries.

All other trademarks and service marks mentioned herein, including company names, product names, service names and logos, are the property of their respective owners and their use herein does not indicate an affiliation with, association with, or endorsement of or by HTC Corporation. Not all marks listed necessarily appear in this User Guide.

Screen images contained herein are simulated. HTC shall not be liable for technical or editorial errors or omissions contained herein, nor for incidental or consequential damages resulting from furnishing this material. The information is provided “as is” without warranty of any kind and is subject to change without notice. HTC also reserves the right to revise the content of this document at any time without prior notice.

No part of this document may be reproduced or transmitted in any form or by any means, electronic or mechanical, including photocopying, recording or storing in a retrieval system, or translated into any language in any form without prior written permission of HTC.